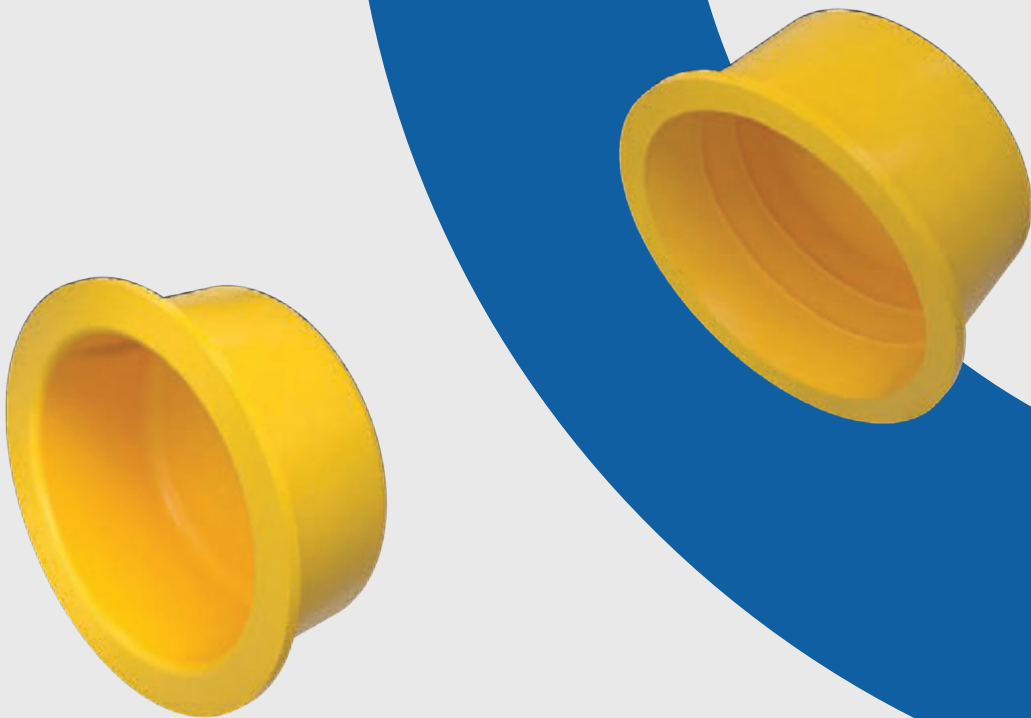
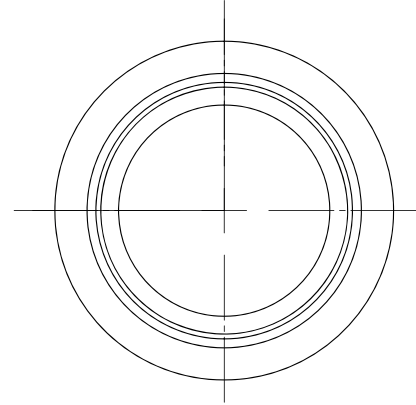
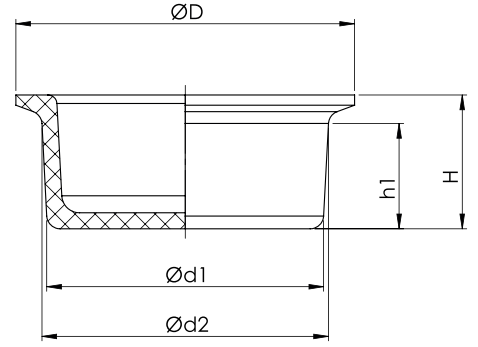


# LMC®

## **TAPA VE KAPAK**

UNIVERSAL  
CAPS & PLUGS





Ürün Kodu / Product Code	Ölçüler (mm) / Dimension (mm)			
	D	D1	H1	H
T7002VR024x	33,0	23,6	14,9	16,5
T7002VR100x	39,5	26,9	15,0	16,6

Tapa (Erkek) / Plug (Male)		Uygulama Bilgisi / Application Guide - Tapa (Erkek) / Plug (Male)				
Ürün Kodu / Product Code	Ölçüler (mm) / Dimension (mm)					
	BSP	UNF	UNC	Metrik / Metric (M)	Metrik İnce / Metric Fine (N)	
T7002VR024x	3/4"	1"-12, UNF	1"-8 UNC	M27	M25x1.5 - M25x2 - M26x1.5	
T7002VR100x	1"	1 1/8"-12, UNF	-	M33	M30x1.5 - M32x1.5 - M32x2	

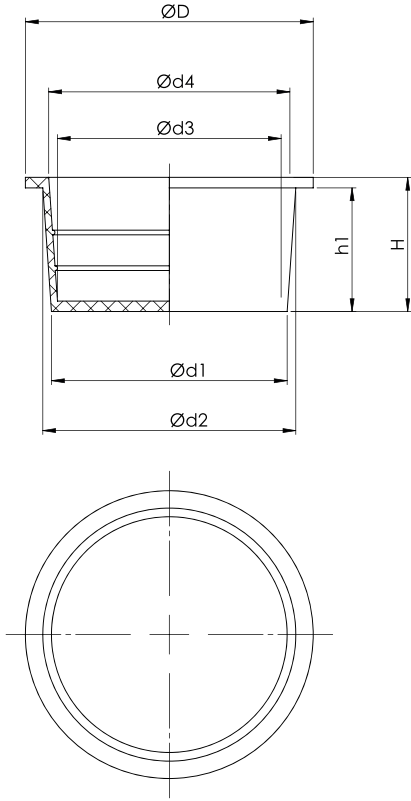
Kapak (Dişi) / Cap (Female)		Uygulama Bilgisi / Application Guide - Kapak (Dişi) / Cap (Female)				
Ürün Kodu / Product Code	Ölçüler (mm) / Dimension (mm)					
	BSP	UNF	UNC	Metrik / Metric (M)	Metrik İnce / Metric Fine (N)	
T7002VR024x	5/8"	7/8"-14, UNF	7/8"-9, UNC	M24	M24x1,5	
T7002VR100x	7/8"	1 1/8"-12, UNF	1 1/8"-7, UNC	M30	M30x1,5	

Malzeme / Material	PVC	
Renk / Colour (x)	K : Kırmızı / Red	
	M : Mavi / Blue	
	S : Sarı / Yellow	

\* Esnek malzemesi, sağlamlık ve gerilmeye karşı dayanıklılık sağlar. / Material provides good tensile strength, toughness and increased flexibility.

\* Hortum, valf ve endüstriyel uygulamalar için kullanılır. / Ideal for plugging hose, valves and other industrial applications.

\* Farklı ölçü, renk ve malzeme talepleriniz için LMC'ye danışın. / Please ask to LMC for different size, colour or material types.



Ürün Kodu / Product Code	Ölçüler (mm) / Dimension (mm)						
	D	D1	D2	D3	D4	H1	H
T7001ER004x	12,5	9,0	9,2	7,6	7,8	5,0	6,0
T7001ER008x	15,5	11,8	11,8	9,5	9,8	5,2	6,5
T7001ED009.5x	13,3	9,5	9,5	8,0	8,0	6,7	7,6
T7001ED010x	13,6	10,0	10,0	8,0	8,0	7,0	7,8
T7001ER012x	18,3	15,0	15,2	12,7	13,3	7,4	8,7
T7001ER016x	24,0	17,5	19,8	15,9	18,5	15,0	16,3
T7003ER016x	27,5	17,8	19,8	16,1	15,5	15,0	16,5
T7001ER020x	26,0	20,3	21,3	17,7	18,7	16,5	18,0
T7001ER024x	29,0	23,0	26,2	21,5	25,0	18,0	19,5
T7003ER024x	28,5	24,0	25,5	21,7	22,0	10,0	11,0
T7003ED026X	30,0	25,1	26,4	22,6	24,0	10,8	12,0
T7001ED032X	37,0	31,0	32,5	28,5	31,0	15,0	15,5
T7001ER100x	34,0	30,0	31,0	28,0	29,5	16,0	17,5
T7001ER108x	45,0	39,0	41,0	37,0	39,0	13,5	15,0
T7001ER200x	65,0	55,0	59,0	52,4	57,0	25,0	26,7

 Tapa (Erkek) / Plug (Male)

Ürün Kodu / Product Code	Uygulama Bilgisi / Application Guide				
	Ölçüler (mm) / Dimension (mm)				
	BSP	UNF	UNC	Metrik / Metric (M)	Metrik İnce / Metric Fine (N)
T7001ER004x	1/8"	3/8" - 24, UNF	3/8" - 16, UNC	-	M10x1.0
T7001ER008x	1/4"	-	-	M14	M13x1.0
T7001ED009.5x	-	-	-	-	-
T7001ED010x	-	-	-	-	-
T7001ER012x	3/8"	-	-	-	-
T7001ER016x	1/2"	3/4"-16, UNF	3/4" - 10, UNC	M22	M20x1.0 - M21x1.5 - M21x2.0
T7003ER016x	1/2"	3/4"-16, UNF	3/4" - 10, UNC	M22	M20x1.0
T7001ER020x	5/8"	1"-12, UNF	1" - 8, UNC	M30	-
T7001ER024x	3/4"	1"-12, UNF	1" - 8, UNC	M27	M26x1.5 - M27x1.5
T7003ER024x	3/4"	1"-12, UNF	1" - 8, UNC	M27	M27x1.5 - M27x2.0 - M28x2.0
T7001ER100x	1"	1 1/4"-12, UNF	1 1/4" - 7, UNC	M36	M33x1.5 - M34x2.0 - M35x2.0
T7001ER108x	1 1/4"	1 7/8", UNF	-	-	-
T7001ER200x	2"	-	2 1/4" - 4 1/2", UNC	M64	M56x1.0 - M58x2.0 - M60x2.0

 Kapak (Dişi) / Cap (Female)

Ürün Kodu / Product Code	Uygulama Bilgisi / Application Guide				
	Ölçüler (mm) / Dimension (mm)				
	BSP	UNF	UNC	Metrik / Metric (M)	Metrik İnce / Metric Fine (N)
T7001ER004x	1/16"	-	-	M8	-
T7001ER008x	1/8"	-	-	M10	M10x1.5
T7001ED009.5x	-	5/16"-24, UNF	5/16"-24, UNC	-	-
T7001ED010x	-	5/16"-24, UNF	5/16"-24, UNC	-	-
T7001ER012x	1/4"	-	-	M14	M14x1.5
T7001ER016x	-	-	-	M18	M18x1.5
T7003ER016x	-	-	-	M18	M18x1.5
T7001ER020x	-	-	-	-	-
T7001ER024x	5/8"	7/8"-14, UNF	7/8"-9, UNC	M24	M24x1.5
T7003ER024x	5/8"	7/8"-14 UNF	7/8"-9, UNC	M24	M22x1.5
T7001ER100x	7/8"	1 1/4", UNF	1 1/4", UNC	-	-
T7001ER108x	1 1/8"	1 1/2", UNF	1 1/2", UNC	-	-
T7001ER200x	1 3/4"	-	-	-	-

Malzeme / Material	AYPE / LDPE
Renk / Colour (x)	K : Kırmızı / Red <span style="color: red;">■</span>
	M : Mavi / Blue <span style="color: blue;">■</span>
	S : Sarı / Yellow <span style="color: yellow;">■</span>

\* Tapa veya kapak olarak kullanılabilir. / Could be used as plug or cap.

\* Konik tasarım takma ve çıkarma işlemini kolaylaştırır. / Easy fitting and removal with tapered design.

\* Taşıma ve depolama sürecinde toz, nem ve hasara karşı koruma sağlar. / Protects from damage, dirt, moisture and corrosion during storage and shipping.

\* Genel amaçlı kullanım. / General purpose application.

\* Farklı ölçü, renk ve malzeme talepleriniz için LMC'ye danışın. / Please ask to LMC for different size, colour or material types.